

SPECIFICATIONS

[General Specifications]

Model	5 tiers	MPS-502
	4 tiers	MPS-402
	3 tiers	MPS-302
	2 tiers	MPS-202
	1 tier	MPS-102
UL Registered Model		MPS-_02
Rated Voltage		24V AC/DC (50/60Hz)
Operating Voltage Range		Rated Voltage \pm 10%
Signal Wire Current	Typ.	Per Unit Red:29.0mA, Amber:29.5mA, Green:17.1mA, Blue:17.1mA, White:17.1mA
	Max.	Per Unit Red:32.7mA, Amber:34.5mA, Green:21.4mA, Blue:21.4mA, White:21.4mA
Operating Ambient Temperature		-30°C to +60°C
Operating Ambient Humidity		Less than 90% (No condensation)
Mounting Location		Indoors
Mounting Direction		Upright
Protection Rating		IP65 (IEC 60529)
Vibration Resistance		19.6m/s ²
Insulation Resistance		More than 1M Ω at 500VDC between the terminals and the chassis
Withstand Voltage		500VAC applied for 1min between terminals and chassis without breaking insulation
Luminous Intensity		Red:550mcd, Amber:650mcd, Green:1900mcd, Blue:700mcd, White:1600mcd
Mass (Tolerance \pm 10%)		1 tier:0.11kg, 2 tiers:0.13kg, 3 tiers:0.15kg, 4 tiers:0.17kg, 5 tiers:0.19kg
Outer Dimensions		Refer to the Outer Dimension Drawing
Conformity Standards		EMC Directive (EN 61000-6-4, EN 61000-6-2) RoHS Directive (EN 50581) UL 508, CSA-C22.2 No. 14
Remarks		Conforms to the CE requirements UL Recognized Component (File No.E215660)

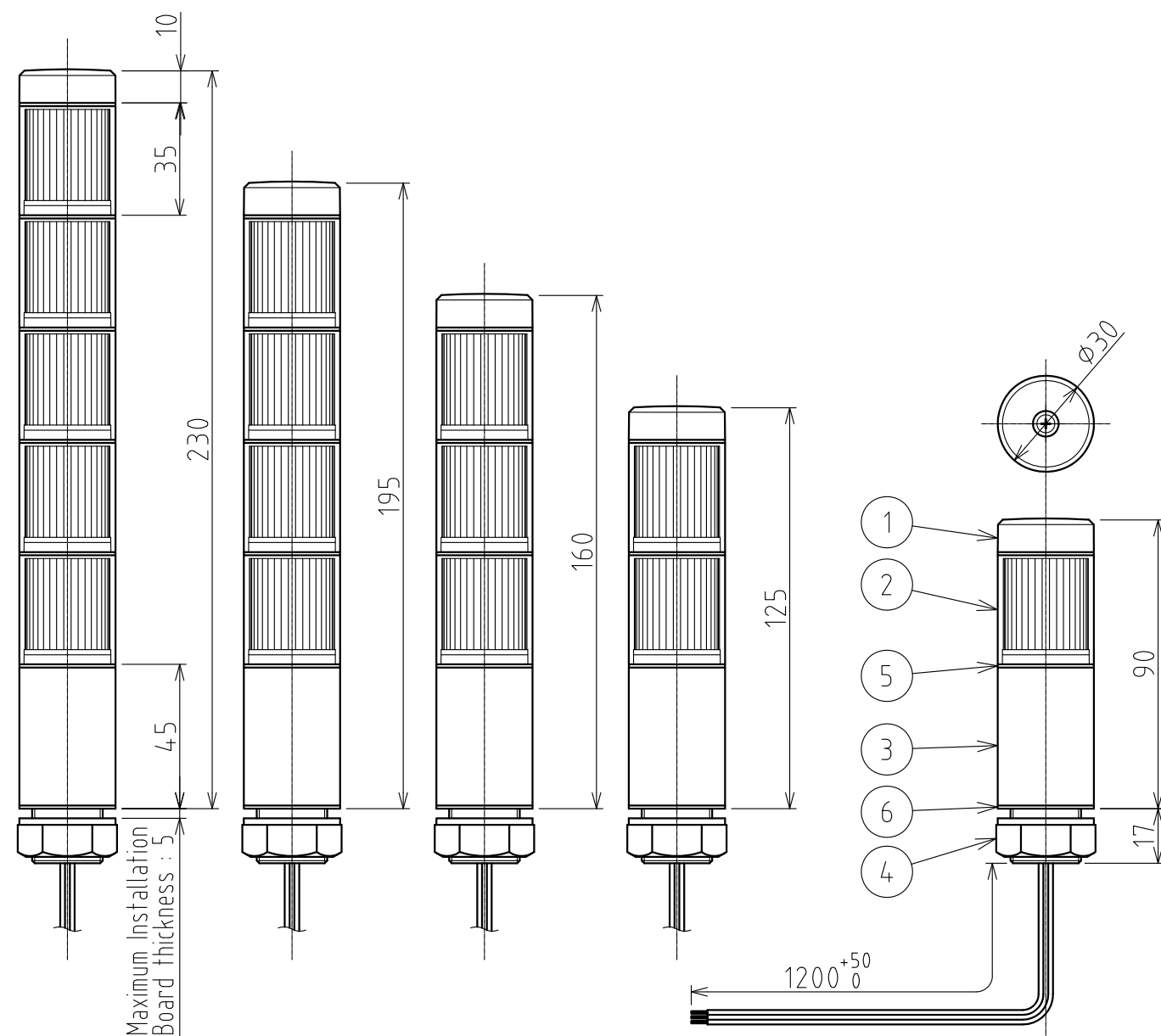
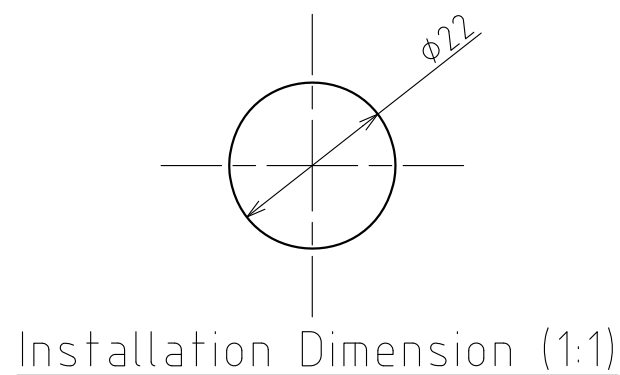
Model Number Configuration

MPS — 02 —

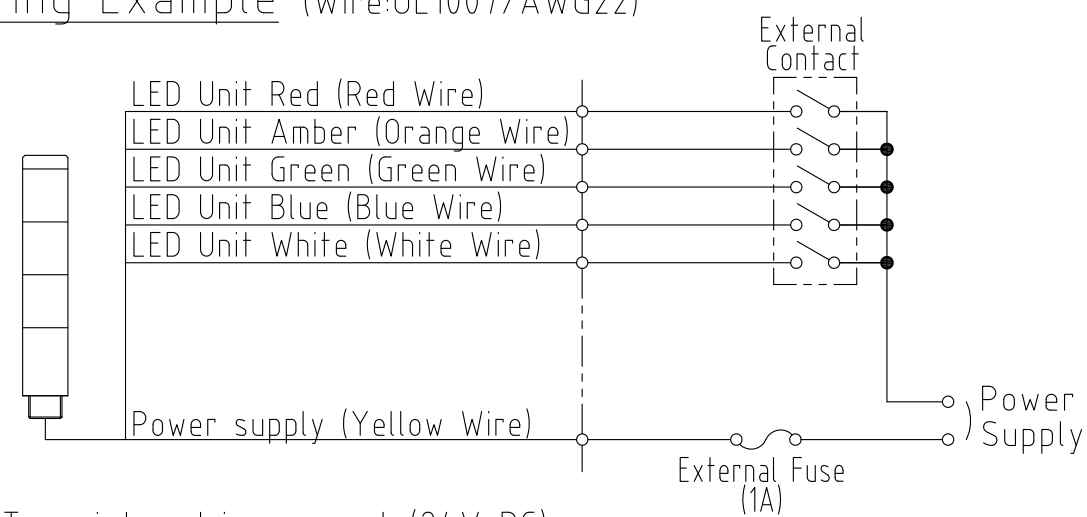
- | | |
|---|---|
| <p>Tier</p> <p>1 : 1 tier</p> <p>2 : 2 tiers</p> <p>3 : 3 tiers</p> <p>4 : 4 tiers</p> <p>5 : 5 tiers</p> | <p>Luminous Color</p> <p>R : Red</p> <p>Y : Amber</p> <p>G : Green</p> <p>B : Blue</p> <p>C : White</p> |
|---|---|

No.MPS-502-W18E-1_2

PATLITE Corporation



Wiring Example (Wire:UL1007/AWG22)



Transistor drive example(24V DC)



Note

1. When wiring is completed, insulate the end of each unused wire with insulation tape.
2. Use a "Class 2 Circuit" for power supply source.
3. Use the fusefolder authorized by UL standard.
4. Use the fuse conforming to the rated current of the machine which the product was installed on.
(Example : Class J type fuse)
5. Fasten nut with the torque of $3.5 \pm 0.5 \text{ N}\cdot\text{m}$.

番号 No.	部品名 Part Name	品目コード Part No.	数量 Qty.	材料 & 寸法 & 処理 Material & Size & Finish	記事 Remarks
6	Waterproof Sheet	-	1	CR, Black	
5	O Ring	-	n+1	NBR, Black	
4	Nut	-	1	M22, P=1.5	
3	Body	-	1	ABS, Silver coating	
2	LED Unit	-	n	Lens:AS/Reflector:ABS	
1	Head Cover	-	1	ABS, Silver coating	

Outer Dimension Drawing

株式会社 パトライト
PATLITE Corporation

MPS-502-W18E-2_2